

УДК 53.088

ELECTROCHEMICAL PROCESSES MODELING AND SENSING UPON DIRAC POTENTIOSTATIC EXCITATION

STEVIC Z.^{1*}, *prof. dr.*,
RAJCIC-VUJASINOVIC M.¹, *prof. dr.*,
RADOVANOVIC² I. *m.sci.*

^{1*}University of Belgrade, Technical Faculty in Bor, VJ 12 19210 Bor; E-Mail: zstevic@tf.bor.ac.rs, mrajcic@tf.bor.ac.rs Serbia

²School of Electrical Engineering, University of Belgrade, Bulevarkralja Aleksandra 73, 11000 Belgrade, ilijaradovanovic@hotmail.com Serbia

Abstract. Modeling of the processes at the electrolyte–electrode interface by the application of electrical excitations is of great importance in electrochemistry. Straightforward and simple estimation of the parameters of double layer and charge transfer processes allows optimization, while increasing demand for the analysis of complex processes requires improvement of existing methods and establishment of new ones. Based on previous studies of electrochemical behavior of copper sulfide minerals, an electric analog is introduced and also a mathematical model is derived for potentiostatic excitation of these systems by a Dirac pulse. The obtained analytical results are compared to experimental data and to the data obtained by computer simulation. A computer system for pulse generation and the monitoring of the response is developed in the LabVIEW programming environment, and applied to real systems. High matching level between the model and the results is achieved by the proper choice of model parameters, which confirmed the proposed model and enabled possible further research within the fast and simple experiments with low number of experimental runs.

Keywords: mathematical model; computer simulation; pulse excitation; electrochemical sensing

МОДЕЛИРОВАНИЕ ЭЛЕКТРОХИМИЧЕСКИХ ПРОЦЕССОВ ПОТЕНЦИОМЕТРИЧЕСКОГО СЕНСОРА ПРИ ВОЗДЕЙСТВИИ ИМПУЛЬСА ДИРАКА

СТЕВИЧ З.^{1*}, *доктор, проф.*,
РАЙЧИЧ-ВУЯСИНОВИЧ М.¹, *доктор, проф.*,
РАДОВАНОВИЧ И.²

^{1*}Белградский университет, Технический факультет в Боре, В J 12 19210 Бор, E-Mail: zstevic@tf.bor.ac.rs, mrajcic@tf.bor.ac.rs Сербия

²Колледж радиотехники, Белградский университет, Бульвар короля Александра 73, 11000 Белград, ilijaradovanovic@hotmail.com Сербия

Аннотация. Моделирование процессов на границе раздела электролит-электрод путем применения электрического возбуждения имеет большое значение в электрохимии. Необходимость оптимизации оценки параметров двойного процесса переноса заряда и уровня, а также увеличение спроса на анализ сложных процессов требует совершенствования существующих и создания новых методов. Основываясь на предыдущих исследованиях электрохимического поведения минералов сульфида меди, была получена математическая модель потенциометрического сенсора при возбуждении этих систем импульсом Дирака. Аналитические результаты в сравнении с экспериментальными данными и данными, полученными при компьютерном моделировании, показали сходный результат. Компьютерная система генерирования импульсов и мониторинга отклика системы была разработана в программной среде LabVIEW и применяется в реальных технических системах. Высокий уровень соответствия между моделью и результатами достигается при соответствующем выборе параметров модели, что подтверждается адекватностью модели и делает возможным дальнейшее исследование при проведении простых экспериментов с малым количеством опытов.

Ключевые слова: математическая модель; компьютерное моделирование; импульсное возбуждение; электрохимический сенсор

МОДЕЛЮВАННЯ ЕЛЕКТРОХІМІЧНИХ ПРОЦЕСІВ ПОТЕНЦІОМЕТРИЧНОГО СЕНСОРА ПІД ДІЄЮ ІМПУЛЬСУ ДІРАКА

СТЕВИЧ З.^{1*}, *доктор, проф.*,

РАЙЧИЧ-ВУЯСИНОВИЧ М.¹, доктор, проф.,
РАДОВАНОВИЧ І.²

¹* Белградський університет, Технічний факультет у Борі, ВЈ 12 19210 Бор, E-Mail: zstevic@tf.bor.ac.rs, mrajcic@tf.bor.ac.rs Сербія

²Коледж радіотехніки, Белградський університет, Бульвар короля Олександра 73, 11000 Белград, ilijaradovanovic@hotmail.com Сербія

Анотація. Моделювання процесів на границі розділу електроліт-електрод шляхом застосування електричного збудження має велике значення в електрохімії. Необхідність оптимізації оцінки параметрів подвійного процесу переносу заряду й рівня, а також збільшення попиту на аналіз складних процесів вимагає вдосконалювання існуючих і створення нових методів. Грунтуючись на попередніх дослідженнях електрохімічної поведінки мінералів сульфиду міді, була отримана математична модель потенціометричного сенсора при збудженні цих систем імпульсом Дірака. Аналітичні результати в порівнянні з експериментальними даними й даними, отриманими при комп'ютерному моделюванні, показали подібний результат. Комп'ютерна система генерування імпульсів і моніторингу відклику системи була розроблена в програмному середовищі LabVIEW і застосовується в реальних технічних системах. Високий рівень відповідності між моделлю й результатами досягається при відповідному виборі параметрів моделі, що підтверджується адекватністю моделі й уможливує подальше дослідження при проведенні простих експериментів з малою кількістю експериментів.

Ключові слова: математична модель; комп'ютерне моделювання; імпульсне збудження; електрохімічний сенсор

Introduction

Pulse excitation has been used in electrochemical technologies for a long time, but also in the electrochemical research process itself [1]. Using the computer modeling, optimization and process control, this research area has experienced recently a large expansion [2]. During several years of research of electrochemical systems, such as supercapacitors, an equivalent electrical circuit (EEC) has been determined by the authors of the paper for copper sulfide (Fig.1) [3].

Mathematical analysis of the EEC and experimental results obtained using standard or modified electrochemical techniques are published earlier [4,5]. The EEC response to the potentiostatic pulse was practically the same as the response of real electrochemical systems. Similar EEC is used by some other authors [6].

Based on the determined EEC, a completely new technique for investigation of electrochemical systems is introduced. This technique uses so-called Dirac pulse. Dirac pulse is a short potentiostatic excitation of high intensity, widely used in different kinds of physical systems analysis [7].

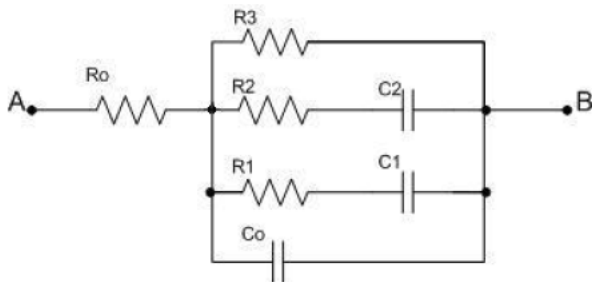


Fig. 1. Equivalent electrical circuit for observed class of electrochemical systems

The resistor R_0 fits electrically the ohmic resistance of electrolyte and electrode material (usually in order of

magnitude of ohms). The capacitor C_0 (usually in order of magnitude of mF) corresponds to the capacitance of a double layer for medat the electrolyte–electrode phaseboundary. The resistors R_1 and R_2 (usually in order of magnitude of tens of Ω), as well as capacitors C_1 (usually in order of magnitude of mF) and C_2 (order of magnitude of F) are related to the slow adsorptionand solid-state diffusion processes, respectively (if the diffusion processes could not take place, EEC would not contain the $C_2 - R_2$ branch). When capacitors or batteries are charge dand the nlef to no pen circuit, a certain degree of self-discharge can set in depending on the chemistry and electrochemistry of the system [8]. R_3 is the resistance of self-discharge, thus reciprocally related to the leakage current. Its value is in order from hundreds of Ω to several k Ω .

System analysis

System excitation by voltage short pulses (Fig. 2a) is called the Dirac excitation. For the EEC of the electrochemical system presented in Fig. 1, a short potentiostatic pulse (usually far from equilibrium) and subsequent for cedrelaxation to war dpreviously registered open-circuit potential, the theoretical response of the system (in this case current) is as shown in Figure 2b.

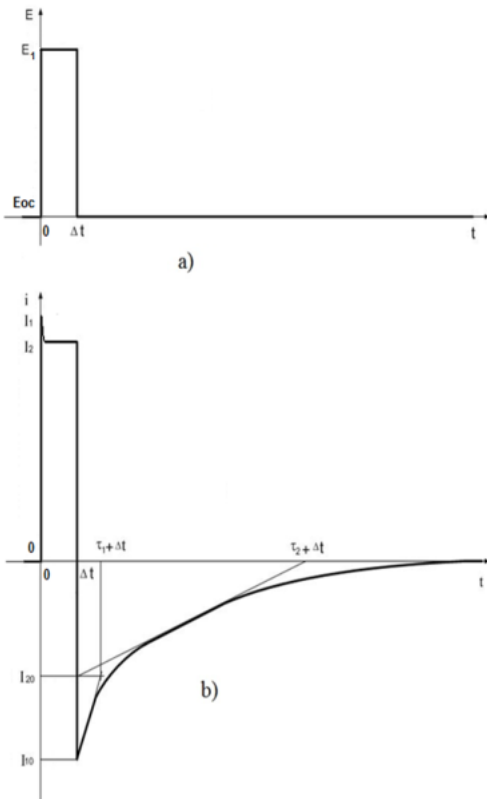


Fig. 2. Excitation (a) and corresponding response of the EEC (b)

Curves in Fig. 2 can be described by the following:

$$I_1 = \frac{E_1}{R_0}, \tag{1}$$

instant charging current;

$$I_2 = \frac{E_1}{R_0 + R_{123}}, \tag{2}$$

quasi-stationary charging current (current plateau on the curve for extremely short pulse duration);

$$I_{10} = \frac{-U_{C_{10}}}{R_1 + R_{023}}, \tag{3}$$

instant discharging current, where:

$$R_{123} = \frac{R_1 R_2 R_3}{R_1 R_2 + R_1 R_3 + R_2 R_3}, \tag{4}$$

equivalent resistance of R_1 , R_2 and R_3 in parallel connection;

$$R_{023} = \frac{R_0 R_2 R_3}{R_0 R_2 + R_0 R_3 + R_2 R_3}, \tag{5}$$

equivalent resistance of R_0 , R_2 and R_3 in parallel connection;

$$U_{C_{10}} = \frac{I_2 \Delta t}{C_1} \frac{R_2}{R_1 + R_2}, \tag{6}$$

initial discharging voltage of capacitor C_1 ;

$$I_{20} = \frac{-U_{C_{20}}}{R_2 + R_{03}}, \tag{7}$$

quasi-stationary discharging current;

$$R_{03} = \frac{R_0 R_3}{R_0 + R_3}, \tag{8}$$

equivalent resistance of R_0 and R_3 in parallel connection;

$$U_{C_{20}} = \frac{I_2 \Delta t}{C_2} \frac{R_1}{R_1 + R_2}, \tag{9}$$

initial discharging voltage of capacitor C_2 ;

$$\tau_1 = (R_1 + R_{023}) \cdot C_1, \tag{10}$$

time constant of the first discharging phase;

$$\tau_2 = (R_2 + R_{03}) \cdot C_2, \tag{11}$$

time constant of the second discharging phase.

In Eq. 3 R_1 is in series with equivalent resistance of R_0 , R_2 and R_3 in parallel connection, defined with Eq. 5, because Eq. 3 describes the system immediately after switching off if the Dirac pulse.

Based on these expressions, EEC parameters can be easily calculated as follows: $R_0 = \frac{E_1}{I_1}$.

From Fig. 2b the values of I_1 , I_2 , I_{10} , I_{20} , τ_1 and τ_2 can be read easily to solve the following system of equations:

$$I_{10} = \frac{-I_2 \Delta t}{(R_1 + R_{023}) C_1} \frac{R_2}{R_1 + R_2}, \tag{13}$$

$$I_{20} = \frac{-I_2 \Delta t}{(R_2 + R_{03}) C_2} \frac{R_1}{R_1 + R_2}, \tag{14}$$

$$R_{123} = \frac{E}{I_2} - R_0, \tag{15}$$

$$\tau_1 = (R_1 + R_{023}) C_1, \tag{16}$$

$$\tau_2 = (R_2 + R_{03}) C_2 \tag{17}$$

Based on the given analysis, the parameters of the electric circuit can be determined, and consequently the physical parameters of the process [9, 10], which are essential for the understanding and the control of electrochemical reactions in the analyzed systems.

Experimental

Several experiments have been performed with this method and it was found applicable for the rapid characterization of electrochemical systems. The experiments are performed using an electrochemical test system supported by PC and LabVIEW software package

[11]. Interface and application software have been developed by authors [12]. A specimen of natural mineral chalcocite from Bor copper mine (Serbia) was used as working electrode in a standard three electrode electrochemical cell. Saturated calomel electrode served as reference, and a platinum sheet used as a counter electrode. All experiments are performed at room temperature.

Figure 3. shows a panel with controls for setting the intensity (E_1) and duration of the voltage pulse (t_p), previously determined open-circuit potential (E_{oc}) and total time (t_{rec}), as well as the indicators of actual values (E , t , Periode and i), with an real-time graphical representation of $i = f(t)$.

Fig. 4.shows a diagram of the application software in G language of LabVIEW.

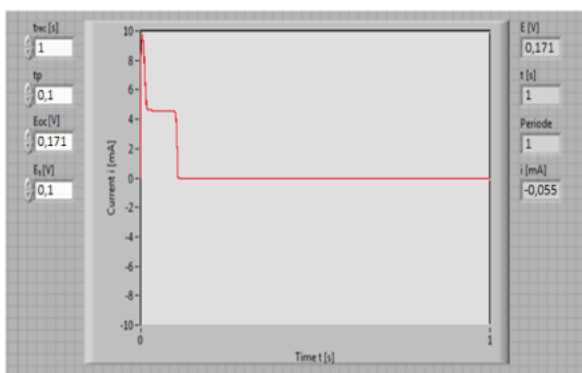


Fig. 3. Dirac potentiostatic excitation control panel

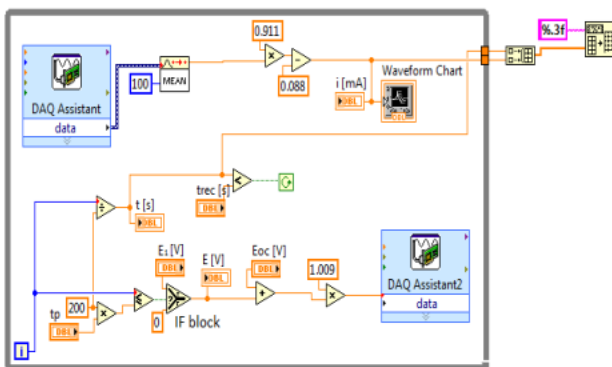


Fig.4.LabVIEW application diagram

The WHILE loop (gray-framed) defines the excitation signal (Dirac pulse at the output of DAQ Assistant2) and at the same time acquires current response data (DAQ Assistant). In one iteration of WHILE loop the value of the current is measured 100 times repeatedly, and then the mean value of the measurements is calculated by the block MEAN (discrete $i-t$ pair). Software correction of the gain (multiplication constant of 0.911) and offset (subtraction constant 0.088) are incorporated to compensate real parameters of the interface. The resulting mean current value is displayed on the front panel (indicator $i[mA]$) and the diagram on

the Waveform Chart) and simultaneously that value is written in the current column of the ASCII table of measured values. The time populates the first column of the table with a resolution of typically 5ms (duration of one WHILE loop cycle, can be set in DAQ Assistant). This means that the instant time in the loop is obtained by dividing counter variable by 200. Execution of the WHILE loop is repeated until the recording set time (t_{rec}) is reached. The pulse duration is set by the LabVIEW control, t_p . Meanwhile, the intensity of the potential pulse, E_1 , is set at the output of the IF block. It is superimposed to the previously measured open circuit potential value, E_{oc} , multiplied by the correction gain 1.009 and led to the output via DAQ Assistant2. As t_p is spent, the output of the IF block is set to 0V and the open circuit potential value, E_{oc} , is at the interface output, during t_{rec} period.

As an example, Figure 5 shows the response at Dirac pulse of 100 mV for the working electrode of copper sulfide, *i.e.*, mineral chalcocite (Cu_2S), in a solution of $1M H_2SO_4 + 0.01M CuSO_4$ with 0.1 s of excitation duration, for short time (charging phase).

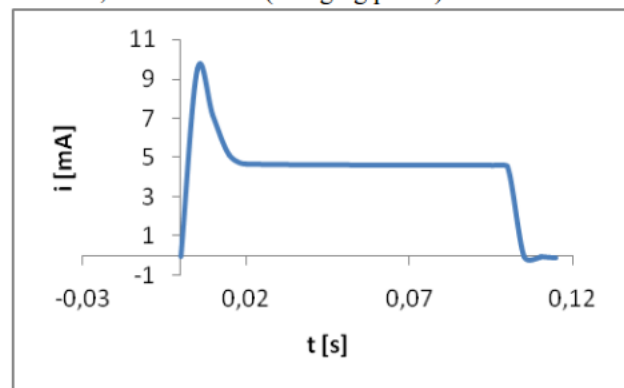


Fig. 5. System response at Dirac voltage pulse: charging phase

Using the described method, following parameters of the equivalent circuit are obtained:

$$R_0=10.5\Omega, R_1=17.1\Omega, R_2=33.1\Omega, R_3=153.5\Omega, C_1=0.2F, C_2=32.2F.$$

These results are in accordance with the values that have been registered on the same system using other methods which would require a much longer time of excitation [5]. Therefore, the main advantage of the method based on the Dirac voltage excitation is very short period of pulse duration, and thus a negligible degradation of the electrode material.

Conclusions

Analyzing the electrochemical system analog circuit upon Dirac potentiostatic excitation and comparing the calculated results with the experimental ones, the possibility of determination of the process parameters by described method is presented. Definition of the parameters of equivalent electrical circuit allows the analysis of the electrochemical behavior of the system.

Dirac potentiostatic excitation allows to obtain these parameters by a fast and reliable experimental procedure. Even more, ohmic resistance can be also obtained directly, which otherwise requires dynamic excitation of the system. Experimental results obtained by testing an extensively investigated system proved that the parameters obtained by Dirac potentiostatic pulse method and those gained by other more complex, expensive and rather long-term methods (for example EIS) do match. Also, there is a possibility to calculate the equivalent circuit parameters from system response at Dirac

potentiostatic excitation by using adequate software application in LabVIEW.

Acknowledgment

This investigation was funded by the Ministry of Education, Science and Technological Development of Republic of Serbia under the projects ON 172060 and TR 32043.

REFERENCES

1. Tantavichet N, Pritzker M.D. Low- and High-Frequency Pulse Current and Pulse Reverse Plating of Copper / N. Tantavichet, M.D. Pritzker // *J. Electrochem.* – 2003. – Soc.150. – P. 665.
2. Tantavichet N, Pritzker M.D. Low- and High-Frequency Pulse Current and Pulse Reverse Plating of Copper. *J. Electrochem*, 2003, soc.150, p. 665.
3. Hatzell K.B., Sharma A., Fathy H.K. A survey of long-term health modeling, estimation, and control of Lithium-ion batteries / Hatzell K.B., A. Sharma, Fathy H.K. // Challenges and opportunities: Proceedings of the American Control Conference (ACC) (27-29 June 2012) / P.584-591.
4. Hatzell K.B., Sharma A., Fathy H.K. A survey of long-term health modeling, estimation, and control of Lithium-ion batteries. Proceedings of the American Control Conference (ACC). Challenges and opportunities. 2012, pp. 584-591.
5. Stevic Z., Rajcic-Vujasinovic M. Chalcocite as a potential material for supercapacitors / Z. Stevic, M. Rajcic-Vujasinovic // *J. Power Sources*. – 2006. – 160, 1511.
6. Stevic Z., Rajcic-Vujasinovic M. Chalcocite as a potential material for supercapacitors. *J. Power Sources*, 2006, 160, 1511.
7. Stevic Z., Rajcic-Vujasinovic M., Dekanski A. Estimation of Parameters Obtained by Electrochemical Impedance Spectroscopy on Systems Containing High Capacities / Stevic Z., Rajcic-Vujasinovic M., Dekanski A. // *Sensors*. – 2009. – 9, 7365.
8. Stevic Z., Rajcic-Vujasinovic M., Dekanski A. Estimation of Parameters Obtained by Electrochemical Impedance Spectroscopy on Systems Containing High Capacities. *Sensors*, 2009, 9, 7365.
9. Stevic Z., Rajcic-Vujasinovic M., Radovanovic I. Comparative Analysis of Dynamic Electrochemical Test Methods of Supercapacitors / Stevic Z., Rajcic-Vujasinovic M., Radovanovic I. // *Int. J. Electrochem.* – 2014. – Sci.9. – 7110.
10. Stevic Z., Rajcic-Vujasinovic M., Radovanovic I. Comparative Analysis of Dynamic Electrochemical Test Methods of Supercapacitors. *Int. J. Electrochem*, 2014, Sci.9, 7110.
11. Conway B. E. Electrochemical supercapacitors. / Conway B.E. – New York: Kluwer Academic / Plenum Publishers, 1999.
12. Conway B.E. *Electrochemical supercapacitors*. New York, Kluwer Academic/Plenum Publishers, 1999.
13. Gorman D. J. On use of the Dirac delta function in the vibration analysis of elastic structures / Gorman D. J // *Int. J. of Solids and Structures*. – 2008. – 4605.
14. Gorman D. J. On use of the Dirac delta function in the vibration analysis of elastic structures. *Int. J. of Solids and Structures*, 2008, 4605.
15. Conway B.E., Pell W.G., Liu T.C. Diagnostic analyses for mechanisms of self-discharge of electrochemical capacitors and batteries. / Conway B.E., Pell W.G., Liu T.C. // *J. Power Sources*. – 1997. – 65. – P. 53.
16. Conway B.E., Pell W.G., Liu T.C. Diagnostic analyses for mechanisms of self-discharge of electrochemical capacitors and batteries. *J. Power Sources*, 1997, 65, p. 53.
17. Stevic Z., Rajcic-Vujasinovic M., Bugarinovic S., Dekanski A. Construction and Characterisation of Double Layer Capacitors. / Stevic Z., Rajcic-Vujasinovic M., Bugarinovic S., Dekanski A. // *Acta Physica Polonica*. – 2010. – A117. – 228.
18. Stevic Z., Rajcic-Vujasinovic M., Bugarinovic S., Dekanski A. Construction and Characterisation of Double Layer Capacitors. *Acta Physica Polonica*, 2010, A117, 228.
19. Zheng J.P., Huang J., Jow T.R. The limitations of energy density for electrochemical capacitors. / Zheng J.P., Huang J., Jow T.R. // *J. Electrochem.* – 1997. – Soc. 144. – 2026.
20. Zheng J.P., Huang J., Jow T.R. The limitations of energy density for electrochemical capacitors *J. Electrochem*, 1997, Soc. 144, 2026.
21. National Instruments LabVIEW. Analysis concepts; NI Corporation, 2010.
22. National Instruments LabVIEW. Analysis concepts; NI Corporation, 2010.
23. Stevic Z., Andjelkovic Z., Antic D.A. New PC and LabVIEW package based system for electrochemical investigations. / Stevic Z., Andjelkovic Z., Antic D.A. // *Sensors*. – 2008. – 8. – 1819.
24. Stevic Z., Andjelkovic Z., Antic D.A. New PC and LabVIEW package based system for electrochemical investigations. *Sensors*, 2008, 8, 1819.